

SPECIFICATIONS:

POWER RATING: 5 WATT CONTINUOUS

FREQUENCY RANGE & VSWR:

DC TO 1GHz AT 1.10:1 MAX.

1GHz TO 4GHz AT 1.25:1 MAX.

AMBIENT TEMPERATURE RANGE: -40°C TO +45°C

CONNECTOR: N-TYPE FEMALES, SILVER PLATED

OPERATING POSITION: ANY

COOLANT: DRY (CONVECTION COOLED)

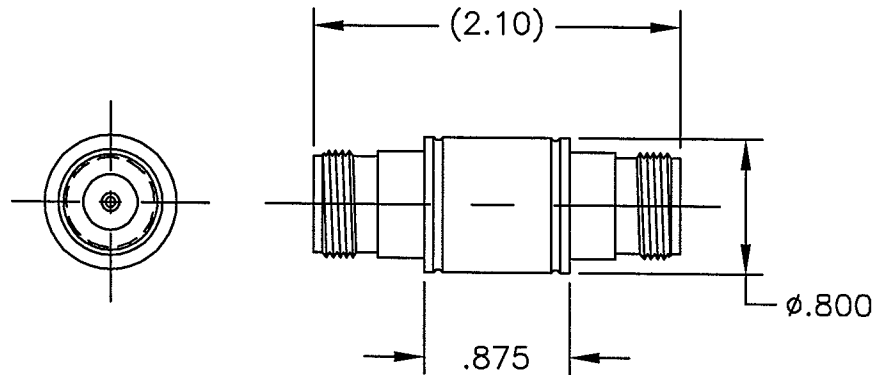
NOTE:

FOR VALUES NOT LISTED, REFER TO THE NEXT HIGHER ATTENUATION LEVEL FOR SPECIFICATIONS. FOR ATTENUATION VALUES GREATER THAN THE HIGHEST LISTED ATTENUATION VALUE, REFER TO THE VALUE 1/2 THE DESIRED ATTENUATION LEVEL, THEN DOUBLE THE LISTED SPECIFICATION VALUES, UNLESS OTHERWISE SPECIFIED.

XX = DASH NUMBER (dB VALUE)

-20	20	±0.5 dB	±1.0 dB
-10	10	±0.4 dB	±0.8 dB
-06	6	±0.4 dB	±0.6 dB
-03	3	±0.3 dB	±0.5 dB
-02	2	±0.3 dB	±0.5 dB
-01	1	±0.3 dB	±0.5 dB
DASH NO.	dB ATTEN.	DC - 1GHz ATTENUATOR	1 - 4GHz ACCURACY ±dB

REVISIONS		DWG. NO.	SHEET	REV
ZONE	REV	DESCRIPTION	DATE	APPROVED
	A	CONVERT TO BEC FORMAT	DMR 6-16-03	<i>mlu</i>



UNLESS OTHERWISE SPECIFIED DIMENSIONS ARE IN INCHES TOLERANCES ARE:

FRACTIONS DECIMALS ANGLES
 ± 1/64 .XX = ±0.010 ± 30'
 .XXX = ±0.005

DO NOT SCALE DRAWING

MILLIMETERS

.X = ±.4
 .XX = ±.12

THIS DRAWING IS THE PROPERTY OF THE BIRD ELECTRONIC CORPORATION. THE DESIGNS AND SPECIFICATIONS DISCLOSED HEREON ARE PROPRIETARY AND SHALL NOT BE REPRODUCED, NOR COPIED, NOR USED AS THE BASIS FOR THE MANUFACTURE OR SALE OF APPARATUS OR DEVICES WITHOUT THEIR EXPRESS WRITTEN CONSENT.



BIRD

Electronic Corporation
 Cleveland (Solon) Ohio USA

MATERIAL

FINISH

APPROVALS	DATE
DRAWN D.M.RINK	6-16-03
CHECKED	
APPROVED <i>MARV V</i>	6-23-03
	AUTOCAD

TITLE			
ATTENUATOR, CONVECTION COOLED N-TYPE, TOP ASSEMBLY, 5W			
SIZE	FSCM NO.	DWG. NO.	REV
A	70998	5-A-FFN-XX	A
SCALE	COMM CODE	SHEET	
1:1	AT1	1 OF 1	